

# WEBER FLAME™



## LP Fireplace Owner's Guide

#43028



### ⚠ WARNING

If the information in this manual is not followed exactly, a fire or explosion may result causing property damage, personal injury or loss of life.

### ⚠ WARNING

Improper installation, adjustment, alteration, service or maintenance can cause injury or property damage. Read the installation, operating and maintenance instructions thoroughly before installing or servicing this equipment.

- Do not store or use gasoline or other flammable vapors and liquids in the vicinity of this or any other appliance.
- WHAT TO DO IF YOU SMELL GAS:
  - Do not try to light any appliance.
  - Do not touch any electrical switch; do not use any phone in your building.
  - Immediately call your gas supplier from a neighbor's phone.
  - Follow the gas supplier's instructions.
  - If you cannot reach the gas supplier, call the fire department.
- Installation and service must be performed by a qualified installer, service agency or the gas supplier.

⚠ WARNING: FOR OUTDOOR USE ONLY.

These instructions are to be retained by the consumer for future reference.



43028 US 01/26/05

# 2

## DANGERS AND WARNINGS

### ⚠ DANGER

Failure to follow the Dangers, Warnings and Cautions contained in this Owner's Manual may result in serious bodily injury or death, or in a fire or an explosion causing damage to property.

### ⚠ WARNINGS

- ⚠ Do not use this appliance to cook food.
- ⚠ Do not burn any other materials than are supplied with and intended for use in this fireplace.
- ⚠ Do not pour water into fireplace.
- ⚠ Do not use this appliance if any part has been under water. Immediately call a qualified service technician to inspect the appliance and to replace any part or the control system and any gas control which has been under water.
- ⚠ Do not store a spare or disconnected liquid propane cylinder under or near this fireplace.
- ⚠ Improper assembly may be dangerous. Please follow the assembly instructions carefully.
- ⚠ After a period of storage, and/or non use, the Weber® gas fireplace should be checked for gas leaks and burner obstructions before use. See instructions in this manual for correct procedures.
- ⚠ Do not operate the Weber® gas fireplace if there is a gas leak present.
- ⚠ Install fireplace on a secure level surface.
- ⚠ Do not use a flame to check for gas leaks.
- ⚠ Combustible materials should never be within 24 inches of the top, back or sides of your Weber® gas fireplace.
- ⚠ Do not put a fireplace cover or anything flammable on, or beneath the fireplace.
- ⚠ Your Weber® gas fireplace should never be used by children. Accessible parts of the fireplace may be very hot. Keep young children away while it is in use.
- ⚠ You should exercise reasonable care when operating your Weber® gas fireplace. It will be hot during use or cleaning and should never be left unattended, or moved while in operation.
- ⚠ Should the burner go out while in operation, turn the gas valve off. Wait five minutes before attempting to relight, using the lighting instructions.
- ⚠ Do not use charcoal or any other solid fuel in your Weber® gas fireplace.
- ⚠ Never lean over the open fireplace or place hands or fingers on the upper portion of an operational unit.
- ⚠ Do not rest feet on the fireplace.
- ⚠ Do not enlarge valve orifices or burner ports when cleaning the valve or burner.
- ⚠ The Weber® gas fireplace should be thoroughly cleaned on a regular basis.
- ⚠ Liquid propane gas is not natural gas. The conversion or attempted use of natural gas in a liquid propane unit or liquid propane gas in a natural gas unit is dangerous and will void your warranty.
- ⚠ Do not attempt to disconnect any gas fitting while your fireplace is in operation.
- ⚠ Keep any electrical supply cord and the fuel supply hose away from any heated surfaces.
- ⚠ Combustion by-products produced when using this product contain chemicals known to the state of California to cause cancer, birth defects, or other reproductive harm.
- ⚠ Do not use this fireplace unless all parts are in place. The unit must be properly assembled according to the instructions outlined in the "Assembly Instructions".

### LIQUID PROPANE GAS UNITS ONLY:

- ⚠ Use the regulator that is supplied with your Weber® gas fireplace.
- ⚠ Do not attempt to disconnect the gas regulator or any gas fitting while your fireplace is in operation.
- ⚠ A dented or rusty liquid propane cylinder may be hazardous and should be checked by your liquid propane supplier. Do not use a liquid propane cylinder with a damaged valve.
- ⚠ Although your liquid propane cylinder may appear to be empty, gas may still be present, and the cylinder should be transported and stored accordingly.
- ⚠ If you see, smell or hear the hiss of escaping gas from the liquid propane cylinder:
  1. Move away from liquid propane cylinder.
  2. Do not attempt to correct the problem yourself.
  3. Call your fire department.

# WARRANTY / GENERAL INSTRUCTIONS

# 3

Weber-Stephen Products Co. (Weber®) hereby warrants to the ORIGINAL PURCHASER of this Weber® gas fireplace that it will be free of defects in material and workmanship from the date of purchase as follows:

**Aluminum Castings, lifetime, 1 year paint**  
**Porcelain Hood Section, 25 years**  
**Burner, 10 years**  
**Igniter, 3 years**  
**All Remaining Parts, 3 years**

when assembled and operated in accordance with the printed instructions accompanying it.

Weber may require reasonable proof of your date of purchase. THEREFORE, YOU SHOULD RETAIN YOUR SALES SLIP OR INVOICE.

This Limited Warranty shall be limited to the repair or replacement of parts that prove defective under normal use and service and which on examination shall indicate, to Weber's satisfaction, they are defective. Before returning any parts, contact the Customer Service Representative in your area using the contact information on our website. If Weber® confirms the defect and approves the claim, Weber® will elect to replace such parts without charge. If you are required to return defective parts, transportation charges must be prepaid. Weber® will return parts to the purchaser, freight or postage prepaid. This Limited Warranty does not cover any failures or operating difficulties due to accident, abuse, misuse, alteration, misapplication, vandalism, improper installation or improper maintenance or service, or failure to perform normal and routine maintenance, including but not limited to damage caused by insects within the burner tubes, as set out in this owner's manual. Deterioration or damage due to severe weather conditions such as hail, hurricanes, earthquakes or tornadoes, discoloration due to exposure to chemicals either directly or in the atmosphere, is not covered by this Limited Warranty.

There are no other express warranties except as set forth herein and any applicable implied warranties of merchantability and fitness are limited in duration to the period of coverage of this express written Limited Warranty. Some regions do not allow limitation on how long an implied warranty lasts, so this limitation may not apply to you.

Weber® is not liable for any special, indirect or consequential damages. Some regions do not allow the exclusion or limitation of incidental or consequential damages, so this limitation or exclusion may not apply to you. Weber® does not authorize any person or company to assume for it any other obligation or liability in connection with the sale, installation, use, removal, return, or replacement of its equipment; and no such representations are binding on Weber®.

This Warranty applies only to products sold at retail.

## WEBER-STEPHEN PRODUCTS CO.

**Customer Service Center**  
**1890 Roselle Road, Suite 308**  
**Schaumburg, IL 60195**  
**USA**

**For replacement parts call:**

**1-800-446-1071**  
**www.weber.com®**

- These instructions will give you the minimum requirements for assembling your Weber® gas fireplace. Please read the instructions carefully before using your Weber® gas fireplace. Improper assembly can be dangerous.
- Not for use by children.
- Young children should be carefully supervised when they are in the area of the fireplace.
- Children and adults should be alerted to the hazards of high surface temperatures and should stay away to avoid burns or clothing ignition.
- Clothing or other flammable materials should not be hung from the fireplace, or placed near the fireplace.
- Any guard or other protective device removed for servicing the fireplace must be replaced prior to operating the fireplace.
- If there are local codes that apply to portable gas fireplaces, you will have to conform to them. If there are no local codes, you must conform to the latest edition of the National Fuel Gas Code: ANSI Z 223.1/NFPA 54, or CAN/CGA-B149.1, Natural Gas and Propane Installation Code.
- The pressure regulator supplied with the Weber® gas fireplace must be used. This regulator is set for 10.5 inches of water column (pressure).
- The maximum inlet gas pressure for this fireplace is 11 inches of water column pressure.
- This Weber® gas fireplace is designed for use with liquid propane (LP) gas only. Do not use with natural (piped in city) gas. The valves, orifices, hose and regulator are for LP gas only.

**⚠ Use of the Weber® fireplace with natural gas will void all product warranty and can result in a fire or explosion, which can cause serious bodily injury, death, and damage to property.**

- Do not use with charcoal fuel.
- Check that the burner ports are free from debris that might obstruct the flow of combustion or ventilation air.
- The areas around the LP cylinder must be free and clear from debris.
- Replacement pressure regulators and hose assemblies must be those specified by the outdoor gas appliance manufacturer.

## FOR INSTALLATION IN CANADA

These instructions, while generally acceptable, do not necessarily comply with the Canadian Installation codes, particularly with piping above and below ground. In Canada the installation of this appliance must comply with local codes and/or Standard CAN/CGA-B149.2 (Installation Code for Propane Burning Appliances and Equipment).

©2003 The following trademarks are registered in the name of Weber-Stephen Products Co., an Illinois corporation, located at 200 East Daniels Road, Palatine, Illinois 60067 U.S.A. Australia; Smoky Joe, Weber, Kettle Silhouette®, Genesis, Austria; Kettle Silhouette®, Smoky Joe, Weber, Benelux; Kettle Silhouette®, Smoky Joe, Weber, Compact Grill Configuration, Botswana; Weber, Canada; Smoky Joe, Genesis, China; Kettle Silhouette®, Denmark; Kettle Silhouette®, Smoky Joe, Weber, Finland; Smoky Joe, France; Kettle Silhouette®, Smoky Joe, Weber, One-Touch, Germany; Smoky Joe, Weber, One-Touch, Greece; Smoky Joe, Ireland; Kettle Silhouette®, Smoky Joe, Italy; Smoky Joe, Weber, Japan; Smoky Joe, Weber, Korea; Smoky Joe, Weber, New Zealand; Weber, Smoky Joe, Nigeria; Weber, Norway; Smoky Joe, Weber, Portugal; Weber, South Africa: Smoky Joe, Weber, Kettle Configuration, Spain; Smoky Joe, Weber, Sweden; Kettle Silhouette®, Smoky Joe, Switzerland; Kettle Silhouette®, Smoky Joe, Weber, United Kingdom; Smoky Joe, Weber, Weber One-Touch, U.S.A.; Kettle Configuration, Kettle Silhouette®, Smoky Joe, Weber, One-Touch, Firespice, Go-Anywhere, U.S.A.; Kettle Configuration, Kettle Silhouette, Genesis, Flavorizer, Crossover, Flamgo, Performer, Rapidfire, Tuck 'N Carry, Jumbo Joe, Bar-B-Kettle, Master-Touch, Spirit, Grill Out, Summit, Platinum, 1-800-Grill-Out, Ranch, Matchless Flame, Zimbabwe; Weber, Kettle Configuration, Kettle Silhouette®.

# 4

## GENERAL INSTRUCTIONS

### OPERATING

- ⚠ **WARNING:** Only use this fireplace outdoors in a well-ventilated area. Do not use in a garage, building, breezeway, gazebo or any other enclosed area.
- ⚠ **WARNING:** Your Weber® gas fireplace shall not be used under overhead combustible construction.
- ⚠ **WARNING:** Do not use the fireplace within 24 inches of combustible materials, top, back or sides of the fireplace.
- ⚠ **WARNING:** The upper portion of the fireplace gets hot when in use. Do not leave unattended.
- ⚠ **WARNING:** Keep any electrical supply cord and the fuel supply hose away from any heated surface.
- ⚠ **WARNING:** Keep the burner area clear of flammable vapors and liquids such as gasoline, alcohol, etc., and combustible materials.
- ⚠ **WARNING:** Never store an extra (spare) LP cylinder near the Weber® gas fireplace.
- ⚠ **WARNING:** The LP cylinder used with your fireplace must be with an OPD (Overfilling Prevention Device) and a QCC1 or Type 1 (CGA810) cylinder connection. The cylinder connection must be compatible with the fireplace connection.

### STORAGE AND/OR NON USE

- The gas must be turned off at the liquid propane cylinder when the Weber® gas fireplace is not in use.
- When the Weber® gas fireplace is stored indoors, the gas supply must be DISCONNECTED and the LP cylinder stored outdoors in a well-ventilated space.
- LP cylinder must be stored outdoors in a well-ventilated area out of reach of children. Disconnected LP cylinder must not be stored in a building, garage or any other enclosed area.
- When the LP cylinder is not disconnected from the Weber® gas fireplace, the appliance and LP tank must be kept outdoors in a well-ventilated space.
- The Weber® gas fireplace should be checked for gas leaks and any obstructions in the burner tubes before using. (See Sections: "General Maintenance and Annual Maintenance.")
- Check that the burner ports are free from debris that might obstruct the flow of combustion or ventilation air.
- The Spider /Insect Screen should also be checked for any obstructions. (See Section: "Annual Maintenance.")

### CLEANING

- ⚠ **WARNING:** Turn your Weber® gas fireplace OFF and wait for it to cool before cleaning.
- For availability of replacement parts contact the Customer Service Representative in your area using the contact information on our web site. Log onto [www.weber.com](http://www.weber.com)®.

**Outside surfaces** - Use a warm soapy water solution to clean, then rinse with water.

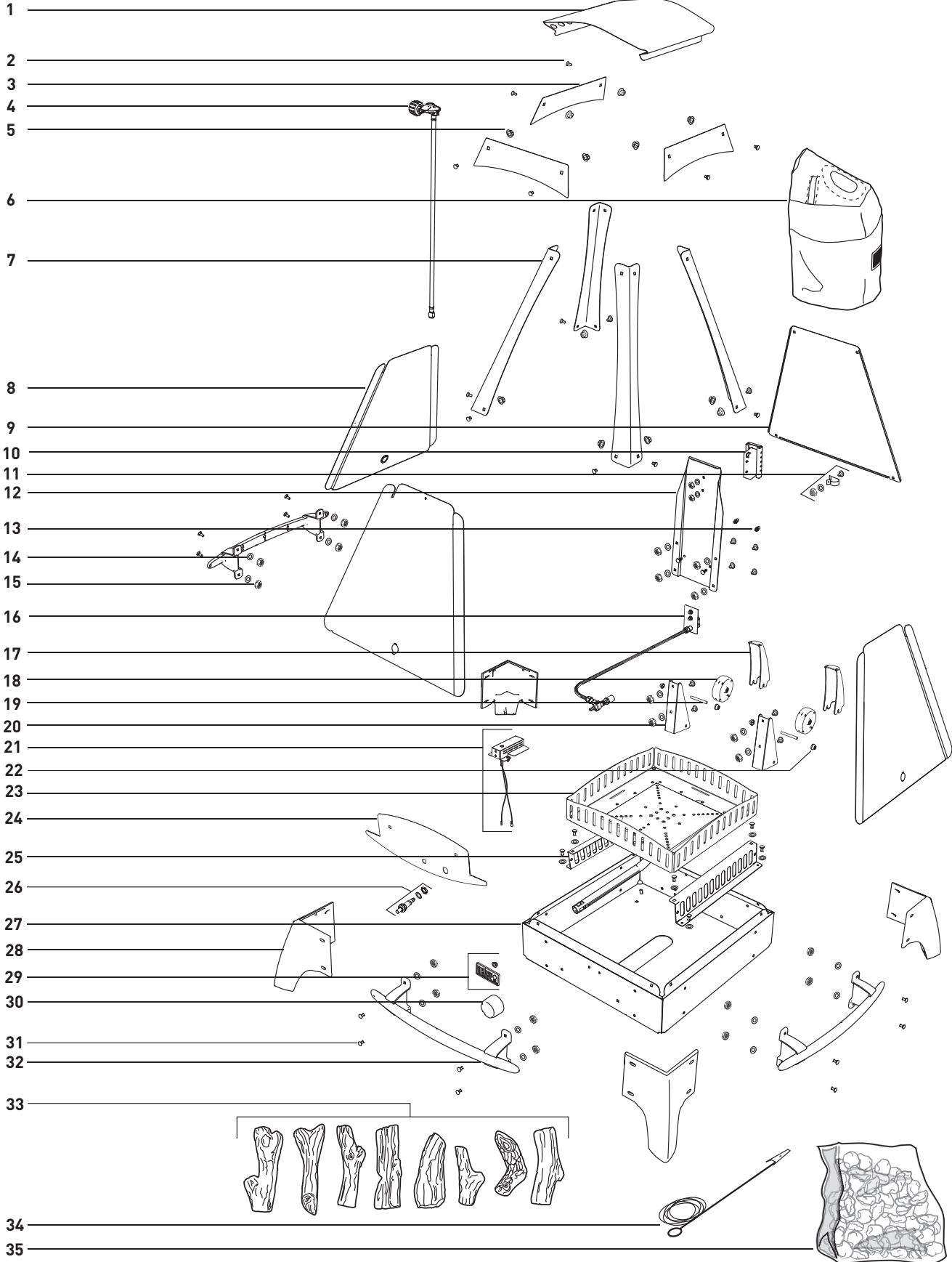
**Logs** - To clean soot off of the logs, remove them from fireplace and rinse with a garden hose.

*Note: Normal burning pattern will develop light soot on log set. If heavy sooting occurs, refer to troubleshooting.*

**Do not use cleaners that contain acid, mineral spirits or xylene. Rinse well after cleaning.**

# EXPLODED VIEW

# 5



# 6

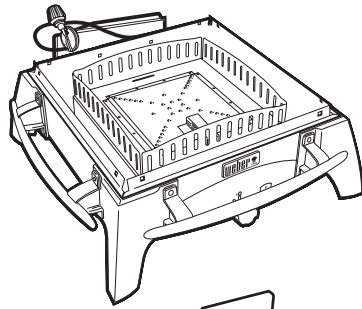
## EXPLODED VIEW LIST

1. HOOD VENT
2. 1/4 - 20 X 1/2" CARRIAGE BOLT
3. SUPPORT BRACKET
4. HOSE AND REGULATOR
5. 1/4 - 20 X 1/2" NUT
6. LP TANK COVER
7. HOOD VENT SUPPORT
8. RAIN SHIELD
9. REAR PANEL
10. FUEL GAUGE
11. HOSE RETAINER ASSEMBLY
12. TANK BRACKET
13. CYLINDER GLIDE
14. WASHER
15. 1/4 - 20 X 1/2" KEPS NUT
16. GAS TRAIN ASSEMBLY
17. WHEEL COVER
18. WHEEL
19. AXLE
20. WHEEL BRACKET
21. IGNITER BOX ASSEMBLY
22. HUBCAP
23. BURNER PLATE ASSEMBLY
24. CONTROL PANEL
25. BURNER PLATE LEG
26. IGNITER ASSEMBLY
27. FIREBOX
28. LEG
29. NAMEPLATE ASSEMBLY
30. CONTROL KNOB
31. 1/4 - 20 1/2" CARRIAGE BOLT
32. FIREBOX HANDLE
33. CERAMIC LOGS
34. MATCHLIGHT HOLDER
35. LAVA ROCKS

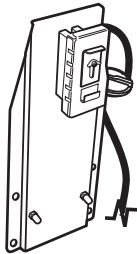
# PARTS LIST

# 7

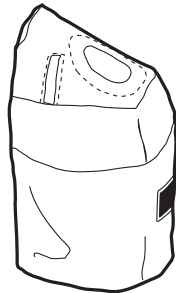
BASE - 1



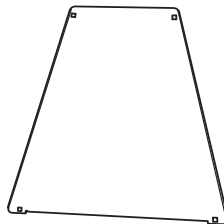
TANK BRACKET - 1



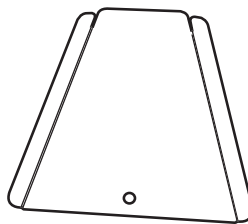
TANK COVER - 1



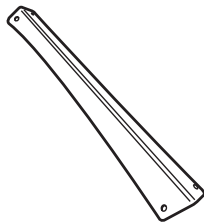
REAR PANEL - 1



RAIN SHIELD - 3



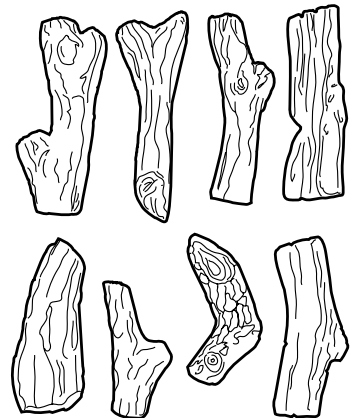
HOOD VENT SUPPORT - 4



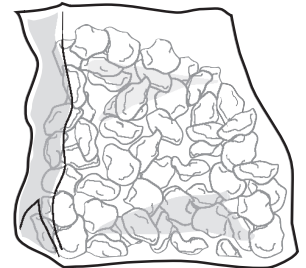
SUPPORT BRACKET - 3



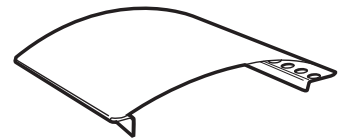
CERAMIC LOGS - 8



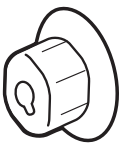
LAVA ROCKS



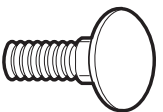
HOOD VENT - 1



1/4 - 20 1/2" NUT - 16



1/4 - 20 1/2" CARRIAGE BOLT - 20



1/4 - 20 1/2" KEPS NUT - 4



WASHER - 4



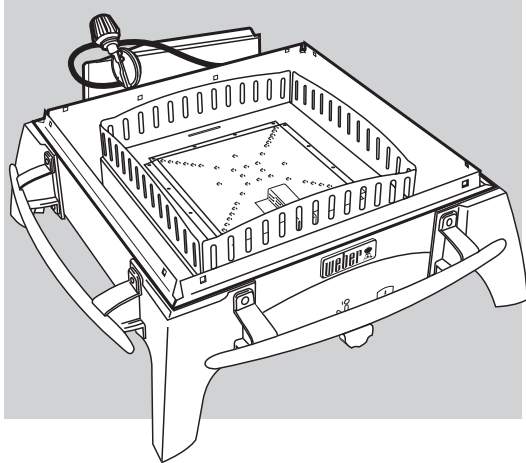
7/16" (11 MM) WRENCH



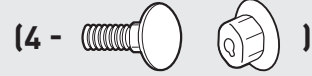
# 8

# ASSEMBLY

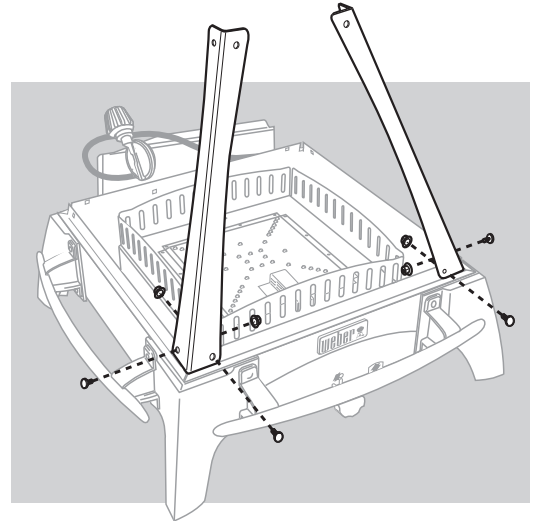
1



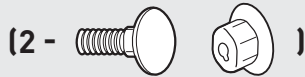
2



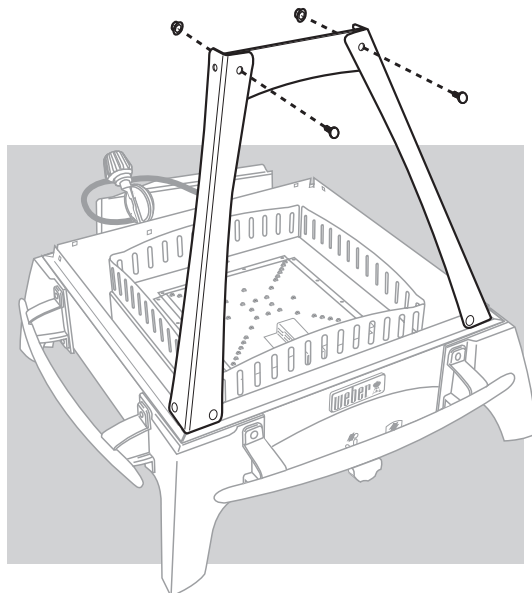
⚠ Hand tighten only.



3



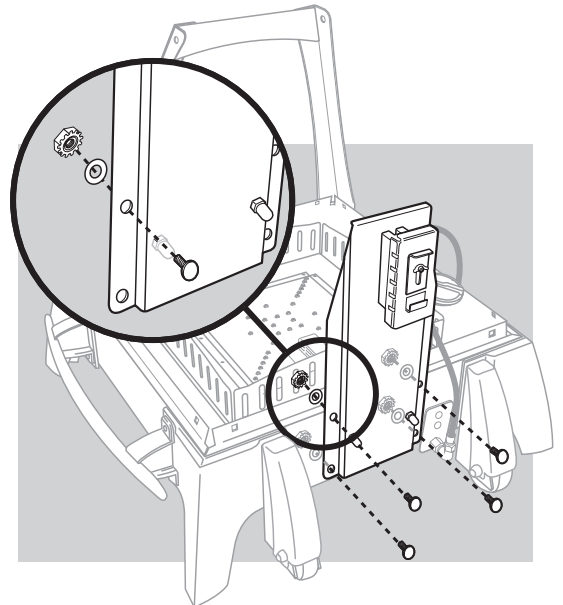
⚠ Hand tighten only.



4



⚠ Wrench tighten.





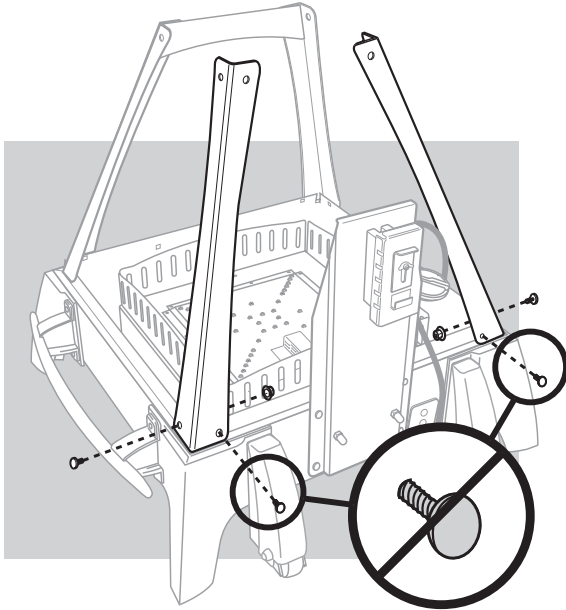
# ASSEMBLY

# 9

5

(2 -   )

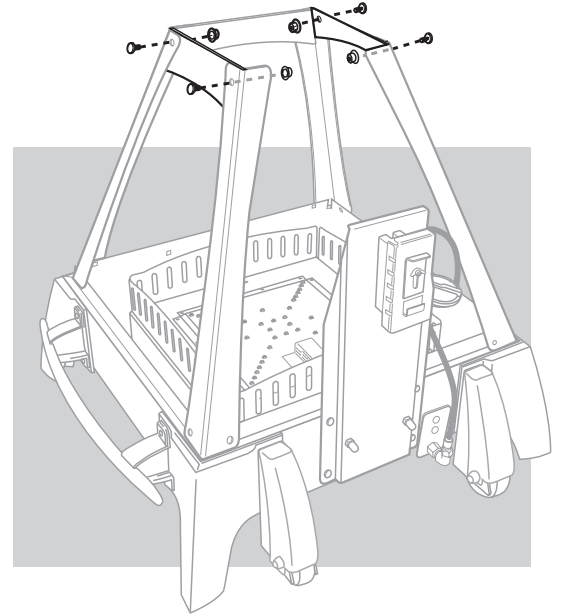
 Hand tighten only.



6

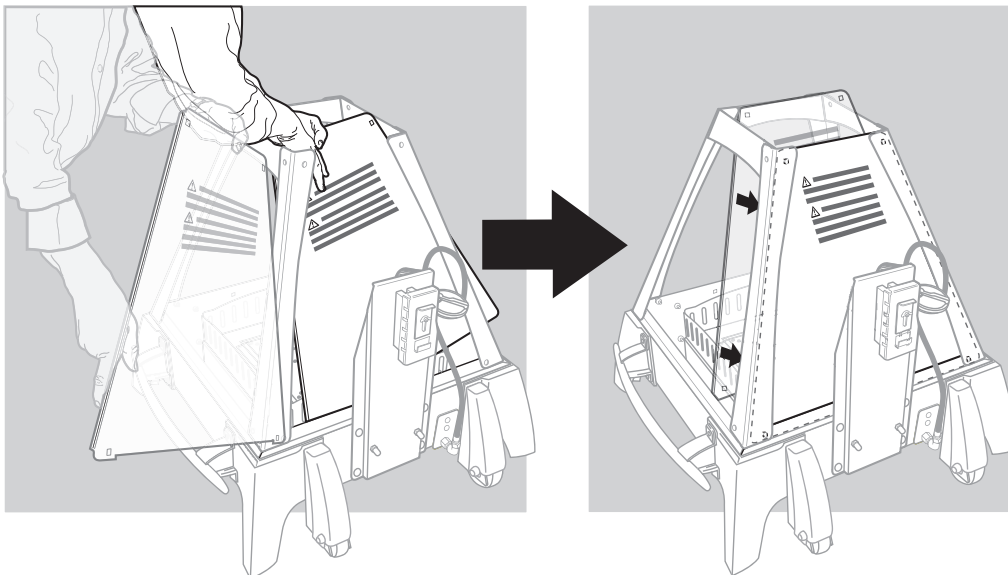
(4 -   )

 Hand tighten only.



7

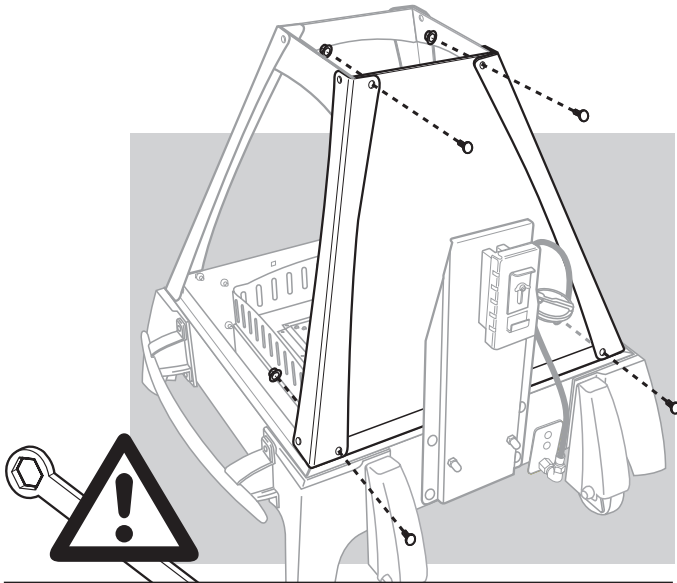
Warning text on panel faces outward.



# 10

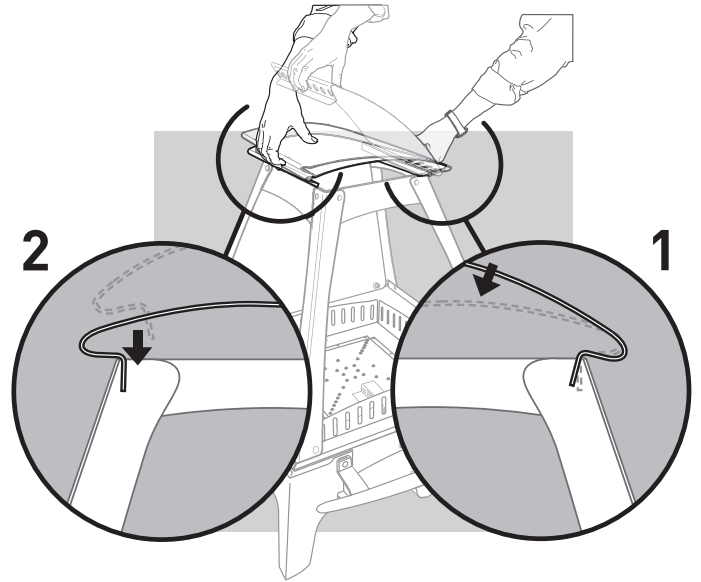
## ASSEMBLY

8



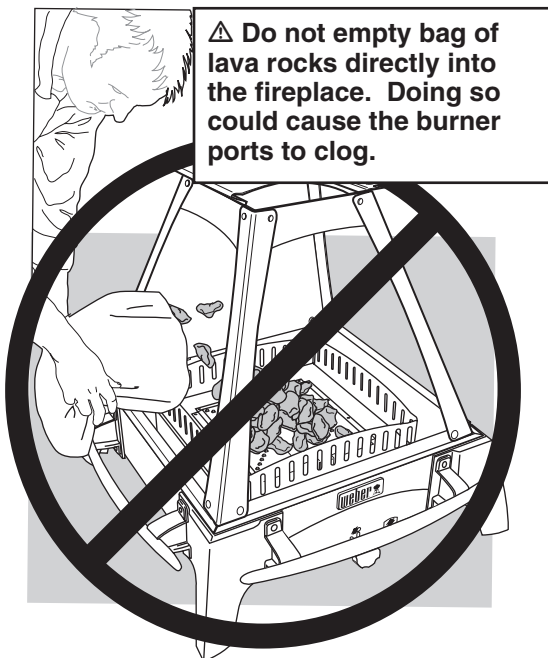
⚠ Wrench tighten ALL nuts at this time.

9



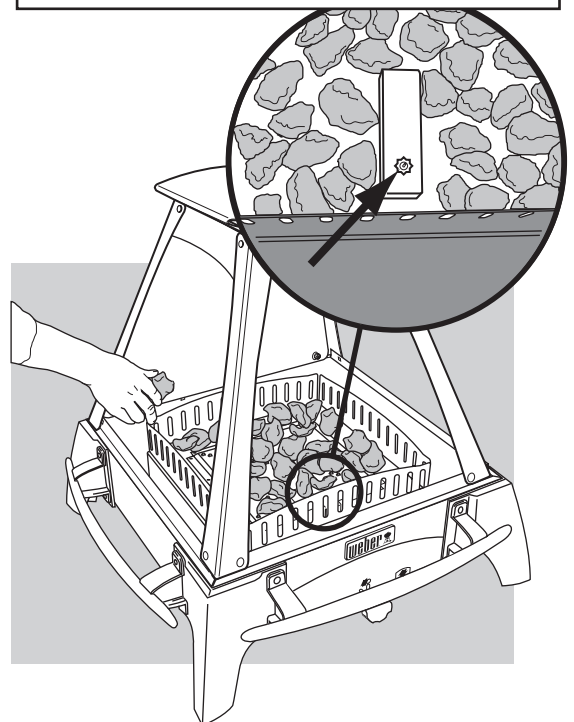
10

⚠ Empty lava rocks onto cardboard packing. Remove small debris.

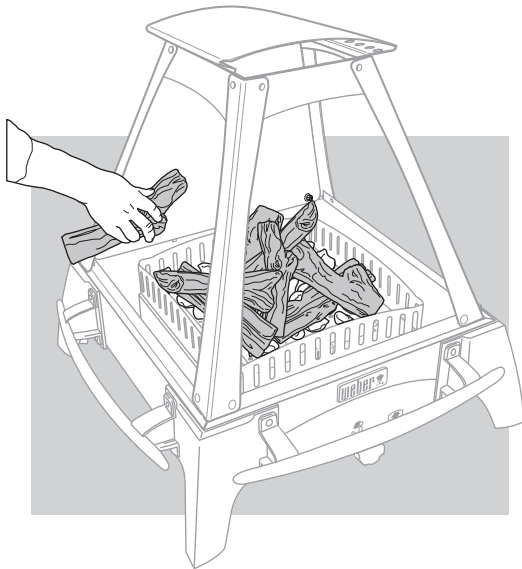


11

⚠ Do not obstruct ignition box.

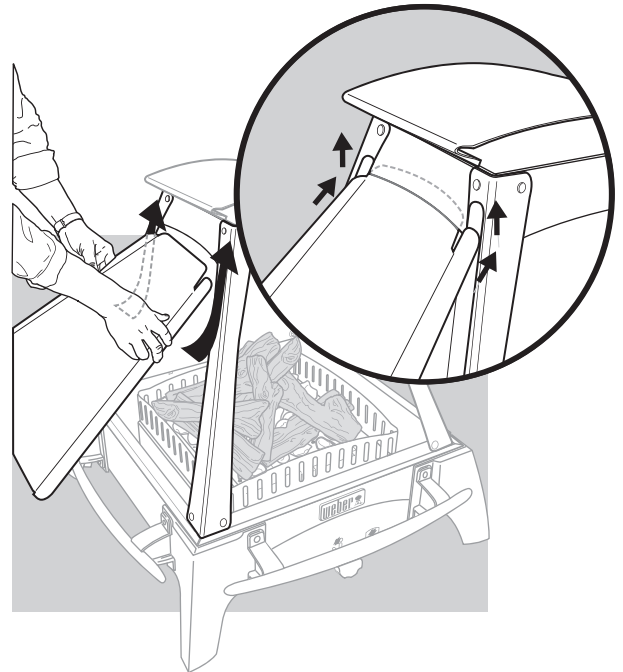


12

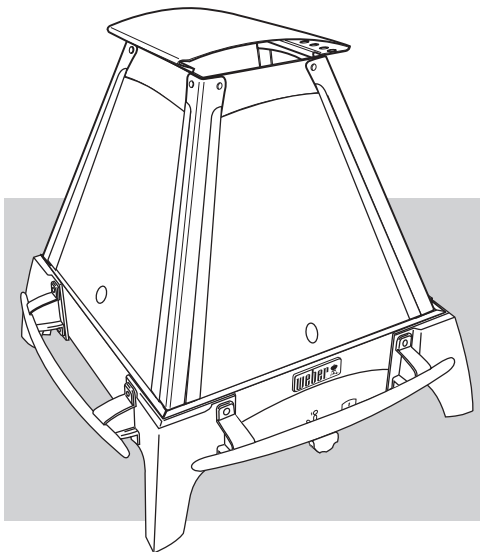


13

Always attach rain shields when not in use and for storage.



14



**⚠ DANGER**

Do not operate fireplace until ALL rain shields have been removed. Failure to do so could result in a fire or explosion which can cause serious bodily injury or death, and damage to property.

**IMPORTANT LP CYLINDER INFORMATION**

Failure to follow these **DANGER** statements exactly may result in a fire causing death or serious injury.

**⚠ DANGER**

- ⚠ **NEVER** store a spare LP Cylinder near this fireplace.
- ⚠ **NEVER** fill the tank beyond 80% full.

Your Weber® gas fireplace is equipped for a cylinder supply system designed for vapor withdrawal.

- ⚠ **WARNING:** Only use this fireplace outdoors in a well-ventilated area. Do not use in a garage, building, breezeway or any other enclosed area.

The proper filling methods for the filling of your cylinder are by weight or volume, as described in NFPA 58. Please make sure your filling station fills your LP cylinder by weight or volume. Ask your filling station to read purging and filling instructions on the LP cylinder before attempting to fill.

**CHECK THAT THE BURNER VALVE IS OFF**

Valve is shipped in the OFF position, but you should check to be sure that it is turned OFF. Check by pushing down and turning clockwise. If it does not turn, it is off. Proceed to the next step. If it does turn continue turning it clockwise until it stops, then it is off. Proceed to the next step.

# 12

## GAS INSTRUCTIONS

### CONNECTING THE LIQUID PROPANE CYLINDER

**⚠ WARNING:** Make sure that the LP cylinder valve is closed. Close by turning valve clockwise.

**⚠ DANGER**

**Do not use an open flame to check for gas leaks. Be sure there are no sparks or open flames in the area while you check for leaks. Sparks or flames will result in a fire or explosion which can cause serious bodily injury or death, and damage to property.**

Some LP tanks have differing top collar assemblies. (The top collar is the metal protective ring around the valve.) One series of tanks mount with the valve facing front. The other tanks mount with the valve facing away from the fuel scale. These types of tanks are illustrated below.

*You will need: LP cylinder, a soap and water solution and a rag or brush to apply it.*

- 1) Make sure hose and regulator are in retaining clip.

**⚠ DANGER**

**Failure to use retaining clip could result in gas leaks, fire or explosion which can cause serious bodily injury or death, and damage to property.**

- 2) Turn the LP cylinder so the opening of the valve is either to the front, side or rear of the Weber® gas fireplace. Lift and hook the cylinder onto the fuel gauge.
- 3) Loosen the cylinder lock wing nut. Swing the cylinder lock down. Tighten the wing nut.

**To Connect the hose to the cylinder:**

- 4) Remove the plastic dust cover from the valve.
- 5) Screw the regulator coupling onto the tank valve, clockwise, or to the right. Hand-tighten only.

*Note: This is a new type of connection. It tightens clockwise and will not allow gas to flow unless the connection is tight. The connection requires tightening by hand only.*

**⚠ WARNING:** Do not use a wrench to tighten the connection. Using a wrench could damage the regulator coupling and could cause a leak.

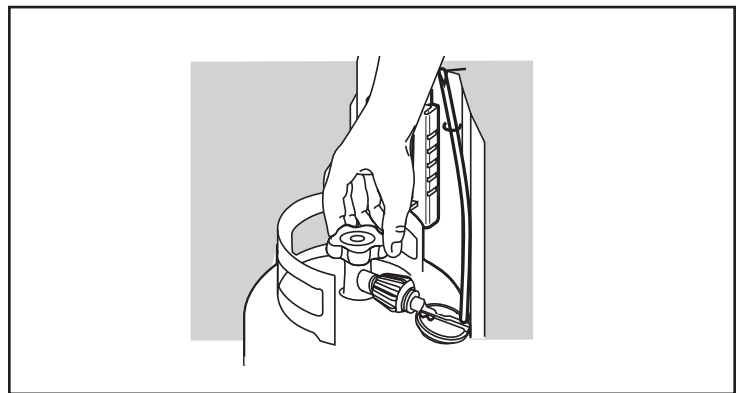
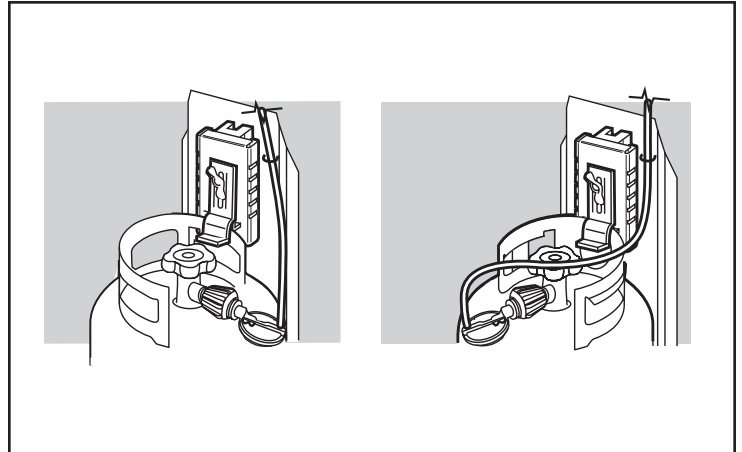
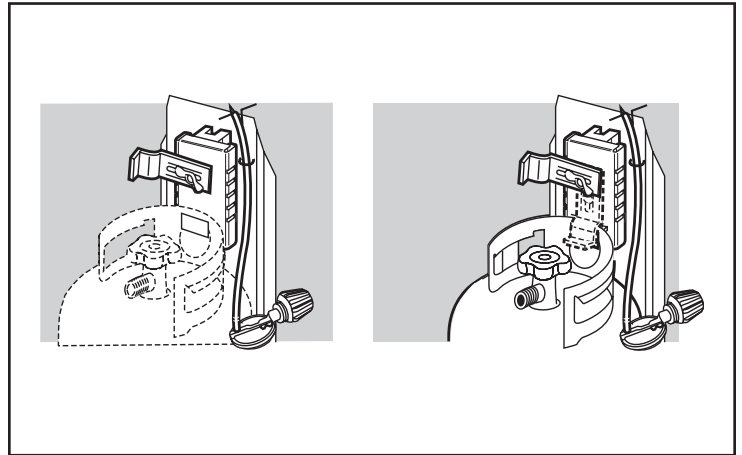
- 6) Mix soap and water.
- 7) Turn on the cylinder valve.
- 8) Check for leaks by wetting the fitting with the soap and water solution and watching for bubbles. If bubbles form, or if a bubble grows, there is a leak.

If there is a leak, turn off the gas and tighten the fitting. Turn the gas back on and recheck with the soap and water solution.

If leak does not stop, contact the Customer Service Representative in your area using the contact information on our web site. Log onto [www.weber.com](http://www.weber.com)®. Do not use the fireplace.

Installation and repair should be done by a qualified service person. The fireplace should be inspected before use and at least annually by a qualified service person. More frequent cleaning may be required as necessary. It is imperative that control compartment, burners and circulating air passageways of the fireplace be kept clean.

- 9) When leak checking is complete, turn gas supply OFF at the source and rinse connections with water.



## CHECK FOR GAS LEAKS

### ⚠ DANGER

Do not use an open flame to check for gas leaks. Be sure there are no sparks or open flames in the area while you check for leaks. Sparks or open flames will result in a fire or explosion, which can cause serious bodily injury or death and damage to property.

### ⚠ WARNING: You should check for gas leaks every time you disconnect and reconnect a gas fitting.

Note - All factory-made connections have been thoroughly checked for gas leaks. The burner has been flame-tested. As a safety precaution however, you should recheck all fittings for leaks before using your Weber® Gas Fireplace. Shipping and handling may loosen or damage a gas fitting.

### ⚠ WARNING: Perform these leak checks even if your fireplace was dealer or store assembled.

You will need: a soap and water solution, and a rag or brush to apply it.

Note - Since some leak test solutions, including soap and water, may be slightly corrosive, all connections should be rinsed with water after checking for leaks.

To perform leak checks: open cylinder valve by turning the cylinder valve hand-wheel counterclockwise.

### ⚠ WARNING: Do not ignite burner when leak checking.

Check for leaks by wetting the connections with the soap and water solution and watching for bubbles. If bubbles form or if a bubble grows, there is a leak.

#### Check:

1) Regulator-to-Cylinder connection.

⚠ **WARNING: If there is a leak at connection (1) or (2), retighten the fitting by hand only, and recheck for leaks with soap and water solution. If a leak persists after retightening the fitting, turn OFF the gas. DO NOT OPERATE THE FIREPLACE. Contact the Customer Service Representative in your area using the contact information on our web site. Log onto [www.weber.com](http://www.weber.com).**

#### Check:

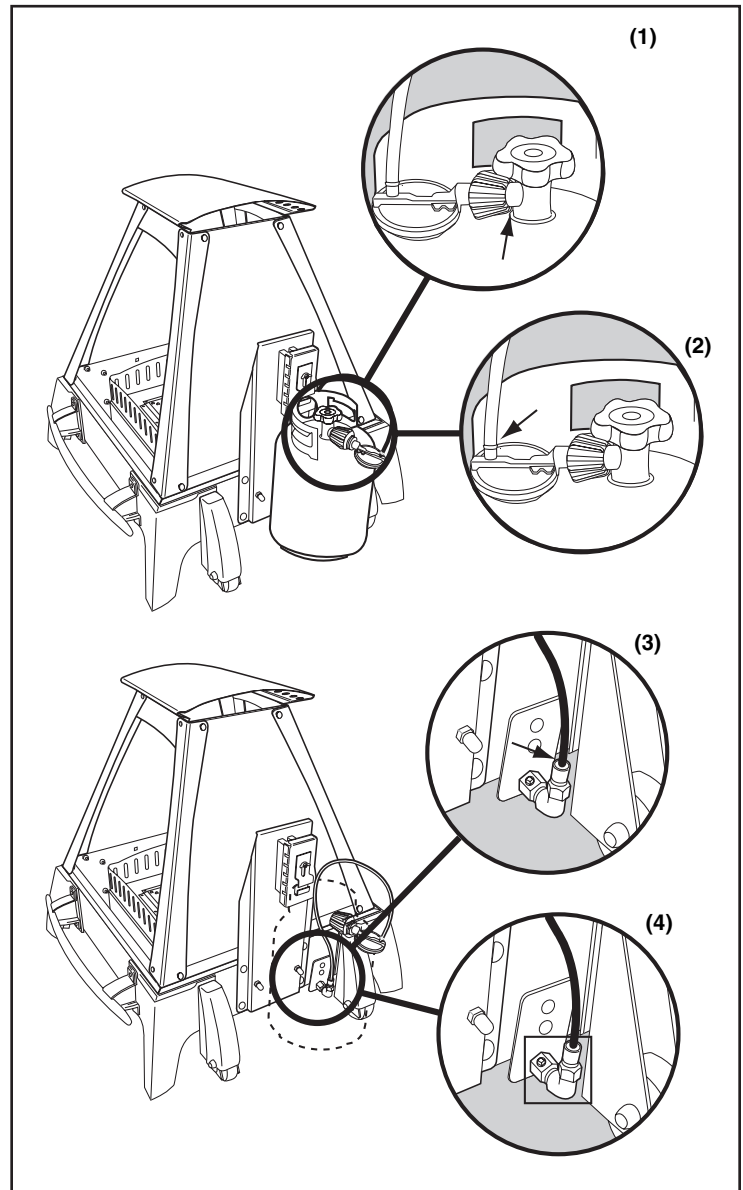
2) Hose-to-regulator.

3) Hose to bulkhead fitting.

4) Bulkhead fitting.

⚠ **WARNING: If there is a leak at connections (2), (3), or (4), turn OFF the gas. DO NOT OPERATE THE FIREPLACE. Contact the Customer Service Representative in your area using the contact information on our web site. Log onto [www.weber.com](http://www.weber.com).**

When leak checks are complete, turn gas supply OFF at the source and rinse connections with water.



# 14

# GAS INSTRUCTIONS

## REFILLING THE LIQUID PROPANE CYLINDER

We recommend that you refill the LP cylinder before it is completely empty.

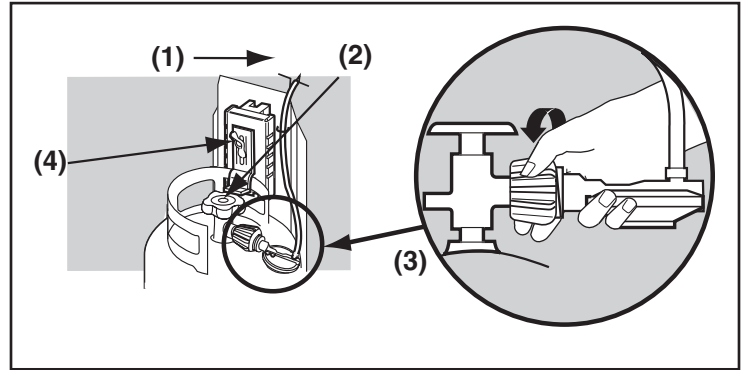
### Removal of the LP cylinder

- 1) Make sure hose is secured in retainer clip.
- 2) Close cylinder valve (turn clockwise).
- 3) Unscrew regulator coupling by turning counterclockwise, by hand only.
- 4) Loosen cylinder lock wing nut and turn cylinder lock up out of the way.
- 5) Lift cylinder off.

To refill, take LP cylinder to a "Gas Propane" dealer.

**⚠ WARNING: We recommend that your LP cylinder be filled at an authorized LP gas dealer, by a qualified attendant, who fills the cylinder by weight. IMPROPER FILLING IS DANGEROUS.**

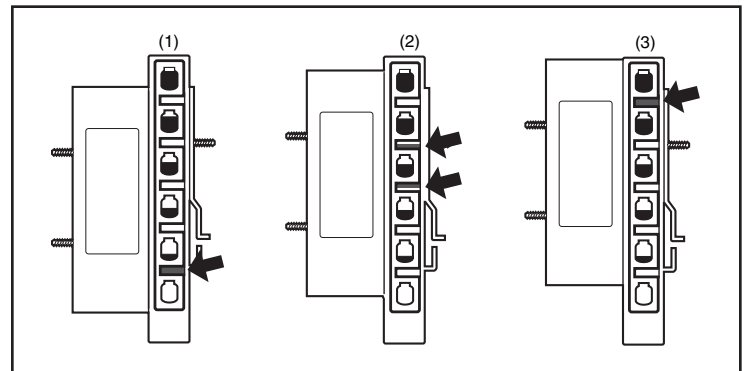
**⚠ CAUTION: When transporting the LP cylinder make sure the plastic dust cover is in place over the valve. This will keep dust and dirt from the threaded portion of the valve.**



## CHECKING THE FUEL LEVEL IN YOUR TANK

Check the fuel level by viewing the color indicator level line on the side of the tank scale.

- 1) Empty
- 2) Medium
- 3) Full



## SAFE HANDLING TIPS FOR LIQUID PROPANE GAS CYLINDERS

- Liquid Propane (LP) gas is a petroleum product as are gasoline and natural gas. LP gas is a gas at regular temperatures and pressures. Under moderate pressure, inside a cylinder, LP gas is a liquid. As the pressure is released, the liquid readily vaporizes and becomes gas.
- LP gas has an odor similar to natural gas. You should be aware of this odor.
- LP gas is heavier than air. Leaking LP gas may collect in low areas and prevent dispersion.
- To fill, take the LP cylinder to an RV center, or look up "gas-propane" in the phone book for other sources of LP gas.

**⚠ WARNING: We recommend that your LP cylinder be filled at an authorized LP gas dealer, by a qualified attendant, who fills the tank by weight. IMPROPER FILLING IS DANGEROUS.**

- Air must be removed from a new LP cylinder before the initial filling. Your LP dealer is equipped to do this.
- The LP cylinder must be installed, transported and stored in an upright position. LP cylinders should not be dropped or handled roughly.
- Never store or transport the LP cylinder where temperatures can reach 125° F (too hot to hold by hand - for example: do not leave the LP cylinder in a car on a hot day).

*Note - A refill will last about 6-7 hours of burning time at normal use. The fuel scale will indicate the propane supply so you can refill before running out. You do not have to run out before you refill.*

- Treat “empty” LP cylinders with the same care as when full. Even when the LP tank is empty of liquid there still may be gas pressure in the cylinder. **Always close the cylinder valve before disconnecting.**

**⚠ CAUTION: When transporting the LP cylinder make sure the plastic dust cover is in place over the valve. This will keep dust and dirt from the threaded portion of the valve.**

- Do not use a damaged LP cylinder. Dented or rusty LP cylinders or LP cylinders with a damaged valve may be hazardous and should be replaced with a new one immediately.

#### Liquid Propane (LP) Cylinder

- The joint where the hose connects to the LP cylinder must be leak tested each time the LP cylinder is reconnected. For example, test each time the LP cylinder is refilled.
- Be sure the regulator is mounted with the small vent hole pointed downward so that it will not collect water. This vent should be free of dirt, grease, bugs etc.
- The gas connections supplied with your Weber® gas fireplace have been designed and tested to meet 100% CSA and ANSI requirements.

**⚠ WARNING: Replacement LP tanks must match the regulator connection supplied with this fireplace.**

#### Liquid Propane Cylinder requirements

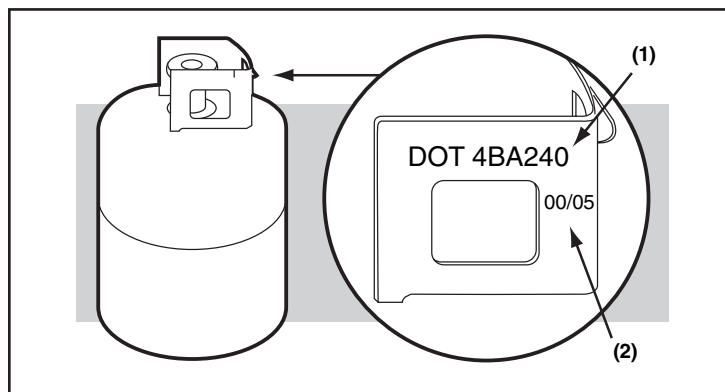
- Check to be sure cylinders have a D.O.T. certification (1), and date tested (2) is within five years. Your LP gas supplier can do this for you.
- All LP tank supply systems must include a collar to protect the cylinder valve.
- The LP cylinder must be a 20-lb. size approximately (18 1/4 inches high, 12 1/4 inches in diameter).
- The cylinder should be constructed and marked in accordance with the Specifications for LP - Gas Cylinders of the U.S. Department of Transportation (D.O.T.) or the National Standard of Canada, CAN/CSA-B339, Cylinders, Spheres and Tubes or Transportation of Dangerous Goods; and Commission, as applicable.

#### In Canada

#### Liquid Propane Cylinder requirements

*Note: Your retailer can help you match a replacement tank to your fireplace*

- The LP cylinder must be constructed and marked in accordance with the specifications for LP gas cylinders, T.C.



# 16

# OPERATING INSTRUCTIONS

## LIGHTING

Summary lighting instructions are on the control panel.

**⚠ WARNING:** Check hose before each use of fireplace for nicks, cracking, abrasions or cuts. If the hose is found to be damaged in any way, do not use the fireplace. Replace using only Weber® authorized replacement hose. Contact the Customer Service Representative in your area using the contact information on our web site. Log onto [www.weber.com](http://www.weber.com).

- 1) Remove rain shields.

### **⚠ DANGER**

Failure to remove rain shields while igniting the fireplace's burners, or not waiting 5 minutes to allow the gas to clear if the fireplace does not light, may result in an explosive flame-up which can cause serious bodily injury or death.

- 2) Make sure the burner control knob is turned OFF. (Push control knob down and turn clockwise to ensure that it is in the OFF position.)

**⚠ WARNING:** The burner control knob must be in the OFF position before turning on the liquid propane cylinder tank valve. If it is not in the OFF position, when you turn on the LP cylinder valve, the "excess gas flow control" feature will activate, limiting the flow of gas from the LP cylinder. If this should occur, turn OFF the LP cylinder valve and burner control knob. Then start over.

### **⚠ DANGER:**

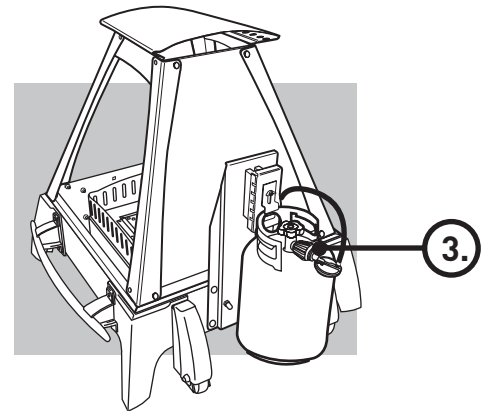
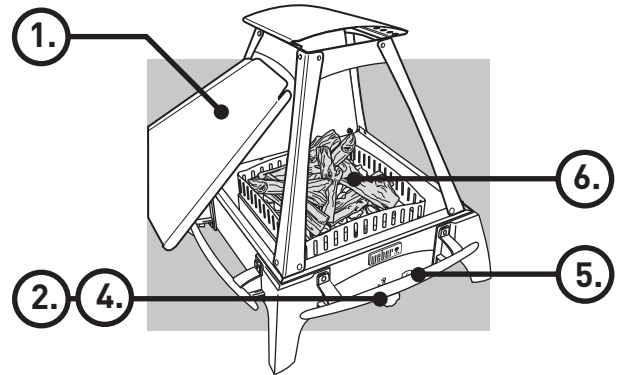
When the "excess gas flow control" feature is activated, a small amount of gas is still flowing to the burner. After turning OFF the cylinder valve, wait at least 5 minutes for the gas to clear before attempting to light the fireplace. Failure to do so may result in an explosive flame-up, which can cause serious bodily injury or death.

- 3) Turn the cylinder on by slowly turning the cylinder valve counterclockwise.

**⚠ WARNING:** Do not lean over the open fireplace. Keep your face and body at least one foot away from the logs when lighting the fireplace.

- 4) Push burner control knob in and turn counter-clockwise to START/Hi.
- 5) Push in igniter several times, until burner is lit.
- 6) Check that the burner is lit.

**⚠ WARNING:** If the burner does not light, turn the burner control knob to OFF and wait 5 minutes to let the gas clear before you try again or try to light with a match.



*Note: Normal burning pattern will develop light soot on log set. If heavy sooting occurs, refer to troubleshooting.*

## TO EXTINGUISH

Push in the burner control knob and turn clockwise to the OFF position. Turn gas supply OFF at the source. When unit has cooled, replace rain shields.

### **⚠ WARNING**

Inspect the burner before each use of the fireplace. If it is evident that the burner is damaged in any way, it must be replaced with a burner specified by the manufacturer prior to the fireplace being turned on. Failure to comply with these measures could result in an explosive flame-up which can cause serious bodily injury or death and damage to property.



## MANUAL LIGHTING

- 1) Remove the rain shields.

### ⚠ DANGER

Failure to remove rain shields while igniting the fireplace's burners, or not waiting 5 minutes to allow the gas to clear if the fireplace does not light, may result in an explosive flame-up which can cause serious bodily injury or death.

- 2) Make sure the burner control knob is turned OFF. (Push knob down and turn clockwise to ensure it is in the off position.)

⚠ **WARNING:** The burner control knob must be in the OFF position before turning on the liquid propane cylinder valve. If it is not in the OFF position, when you turn on the LP cylinder valve, the "excess gas flow control" feature will activate, limiting the flow of gas from the LP cylinder. If this should occur, turn OFF the LP tank valve and burner control knob. Then start over.

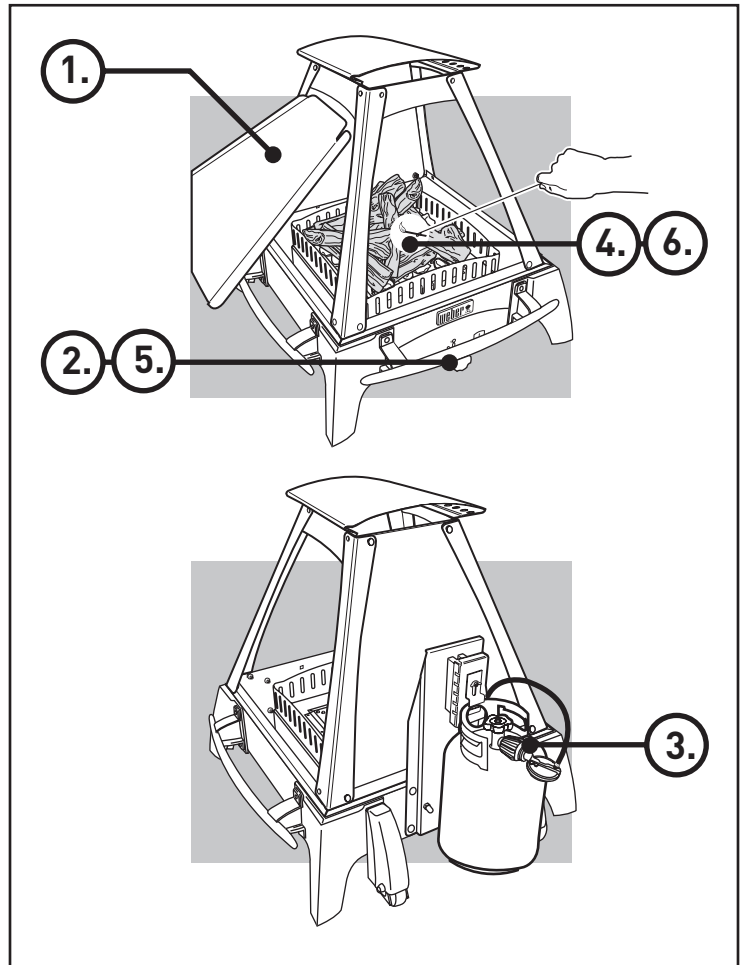
### ⚠ DANGER

When the "excess gas flow control" feature is activated, a small amount of gas is still flowing to the burner. After turning OFF the cylinder and burner control knob, wait at least 5 minutes for the gas to clear before attempting to light the fireplace. Failure to do so may result in an explosive flame-up, which can cause serious bodily injury or death.

- 3) Turn the cylinder on by turning the cylinder valve counterclockwise.
  - 4) Insert match holder with lit match near the center of the burner area.
- ⚠ **WARNING: Do not lean over open fireplace.**
- 5) Push burner control knob down and turn to START/Hi.
  - 6) Make sure that the burner is lit.

⚠ **WARNING:** If the burner does not light, turn the burner control knob to OFF and wait 5 minutes to let the gas clear before you try again or try to light with a match.

*Note: Normal burning pattern will develop light soot on log set. If heavy sooting occurs, refer to troubleshooting.*



## TO EXTINGUISH

Push in the burner control knob and turn clockwise to the OFF position. Turn gas supply OFF at the source. When unit has cooled, replace rain shields.

# 18

# TROUBLESHOOTING

PROBLEM	CHECK	CURE
Burner burns with a dark orange flame, in conjunction with heavy sooting.	Inspect Spider / Insect Screen for possible obstructions. (Blockage of holes.)	Clean Spider / Insect Screen. (See Section "Annual Maintenance")
Burner does not light. -or - Burner has a small flickering flame in the HIGH position.	The excess flow safety device, which is part of the fireplace to cylinder connection, may have activated.	To reset the excess flow safety device turn all burner control knobs and the cylinder valve OFF. Disconnect the regulator from the cylinder. Turn burner control knobs to HIGH. Wait at least 1 minute. Turn burner control knobs OFF. Reconnect the regulator to the cylinder. Turn cylinder valve on slowly. Refer to "Lighting Instructions".
Burner does not light, or flame is low in HIGH position.	Is LP fuel low or empty?	Refill LP cylinder.
	Is fuel hose bent or kinked?	Straighten fuel hose.
	Is igniter functioning properly?	Replace igniter (see contact info. below).
	Is the igniter box blocked?	Remove obstructions from igniter box (see pg. 10, Step 11 of "Assembly" Section).
Flame seems to lose heat when burning in cold weather temperatures 50° F or colder. (The liquid propane in the cylinder turns to vapor too slowly to supply the burners with gas. This is due to the air temperature cooling the LP cylinder which slows the vaporization process.)	Is there frost/ice on the outside of the LP cylinder?	Turn off burner control knobs and the LP cylinder. Replace with a spare LP cylinder and resume burning. <b>⚠ WARNING: The spare or disconnected LP cylinder must be stored outdoors in a well ventilated area out of the reach of children.</b>
Burner flame pattern is erratic. Flame is low when burner is on HIGH. Flames do not ignite all burner holes.	Are burner holes blocked?	Clean burner holes. (See Maintenance Section.)
If problems cannot be corrected by using these methods, please contact the Customer Service Representative in your area using the contact information on our web site. Log onto <a href="http://www.weber.com">www.weber.com</a> ®.		

## WEBER® SPIDER / INSECT SCREEN

Your Weber® gas fireplace, as well as any outdoor gas appliance, is a target for spiders and other insects. They can nest in the venturi section (1) of the burner tube. This blocks the normal gas flow, and can cause the gas to flow back out of the air shutter. This could result in a fire, causing serious damage to your fireplace.

The burner tube air shutter is fitted with a stainless steel screen (1) to prevent spiders and other insects access to the burner tube through the air shutter openings.

**We recommend that you inspect the Spider/Insect screen at least once a year. (See Section “Annual Maintenance”.) Also inspect and clean the Spider/Insect screen if any of the following symptoms should ever occur:**

- 1) The smell of gas in conjunction with the burner flame appearing yellow and lazy.
- 2) Burner does not ignite.

### ⚠ DANGER

**Failure to correct the above mentioned symptoms may result in a fire, which can cause serious bodily injury or death, and cause damage to property.**

## ANNUAL MAINTENANCE

### Inspection and cleaning of the Spider/Insect screen

Brush the spider/insect screen, lightly, with a soft bristle brush (i.e. an old toothbrush).

**⚠ CAUTION: Do not clean the spider/insect screen with hard or sharp tools. Do not dislodge the spider/insect screen or enlarge the screen opening.**

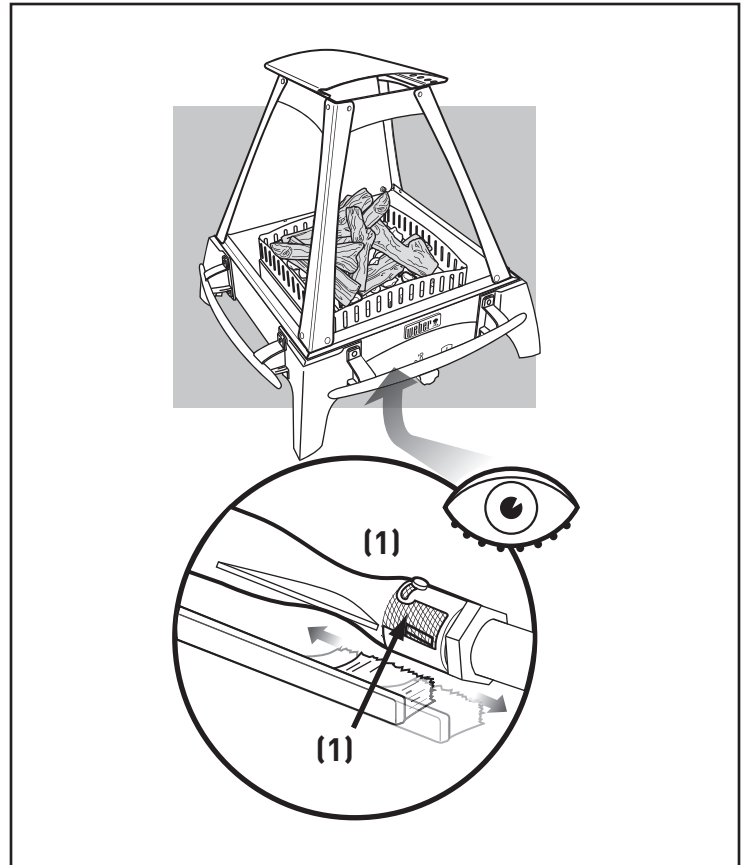
If the spider/insect screen becomes damaged or cannot be cleaned, call Weber-Stephen Products Customer Service for replacement parts.

## MAIN BURNER CLEANING PROCEDURE

**Turn off the gas supply.**

- 1) Remove rain shields.
- 2) Remove logs and lava rocks.
- 3) Examine burner holes for blockage.
- 4) Use a soft bristle brush to remove leaves or other debris.

**⚠ CAUTION: Do not enlarge the burner holes when cleaning.**



**MAIN BURNER FLAME PATTERN**

The Weber® gas fireplace burner has been factory set for the correct air and gas mixture. A correct flame pattern is:

- A yellow to light-orange flame

An incorrect flame pattern is:

- A dark orange flame
- Smoke-producing flame

If the flames appear to be darker orange throughout the burner, sooting occurs, or smoke is produced; follow the burner and spider screen cleaning procedures.

**IGNITION SYSTEM**

If the Ignition System fails to ignite the burner, light manually. If Manual ignition is successful, then check the Ignition System.

- Check that both the white (2) and black (3) ignition wires are attached properly.
- Check that the igniter button pushes in completely and returns.
- Check to see if the igniter is loose in the frame. Tighten if necessary.

If the Ignition System still fails to ignite the burner, see Manual Lighting procedure and contact your dealer.

